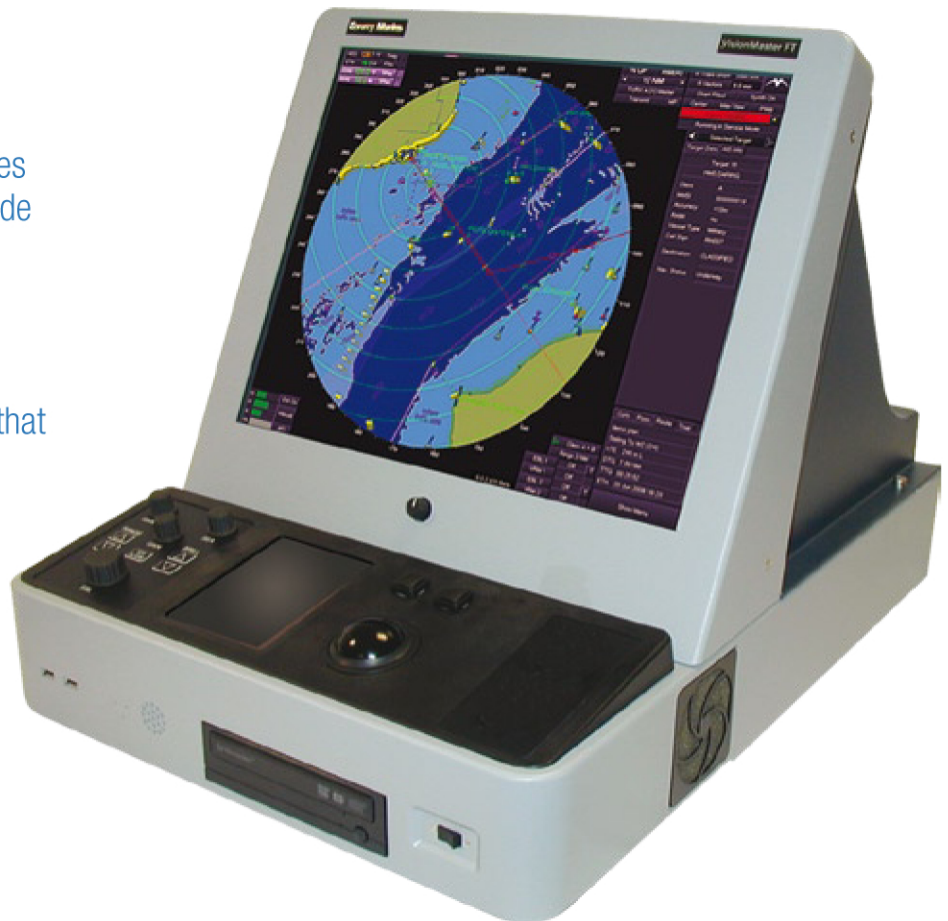


## **VisionMaster FT 250** Integrated Tabletop

The new, fully type approved integrated tabletop version with radar, chart radar and ECDIS provides all the standard features and capabilities which have made the VisionMaster FT family so successful.

The FT 250 Tabletop uses a compact, integrated processor that is compatible with all available system configurations.



### **Highlights**

- Available system configurations
  - Radar
  - Chart Radar
  - ECDIS and ECDIS with Radar Overlay
  - TotalWatch (Multifunction)
- Seamless integration of all available configurations for improved watchkeeping.
- Comprehensive range of tools and features for the navigator.
- Simple user interface - identical in all available configurations.
- Comprehensive help information including the innovative iHelp feature.
- Fully Type Approved to the new international Type Approval standards of IEC 62388 and IEC 62288.
- Built-in capability for upgrade path to different system configurations.
- Radar systems available in a comprehensive range of antenna/transceiver configurations.
- Direct compatibility with existing BridgeMaster E and BridgeMaster II top units.

**Sperry Marine**

**Available Configurations**

**Sperry Marine**

[www.sperrymarine.northropgrumman.com](http://www.sperrymarine.northropgrumman.com)  
 For more information, please contact:

**AMERICAS**

**Charlottesville, VA USA**

Tel: +1 434-974-2000  
 Fax: +1 434-974-2259

**Melville, NY USA**

Tel: +1 631-719-4736  
 Fax: +1 631-719-4630

**ASIA**

**China, Shanghai**

Tel: +86-21-5836-9978  
 Fax: +86-21-5836-9979

**Hong Kong, Sheung Wan**

Tel: +852-2581-9122  
 Fax: +852-2581-9967

**Japan, Tokyo**

Ph: +81 (0)-3-3863-7401  
 Fax: +81 (0)-3-3863-7455

**Singapore**

Tel: +65-6274-3332  
 Fax: +65-6271-3339

**South Korea, Busan**

Tel: +82-51-247-7455  
 Fax: +82-51-247-7454

**Taiwan, Kaohsiung**

Tel: +886-7-331-7786  
 Fax: +886-7-331-7924

**CANADA**

**Nova Scotia, Halifax**

Tel: +1 902-468-9479  
 Fax: +1 902-468-9480

**EUROPE**

**Belgium, Antwerp**

Tel: +32-3-233-14-33  
 Fax: +32-3-225-05-53

**Denmark, Copenhagen**

Tel: +45-77-33-66-33  
 Fax: +45-77-33-66-11

**Germany, Hamburg**

Tel: +49 (0)40 299 00-0  
 Fax: +49 (0)40 299 00-146

**Holland, Vlaardingen**

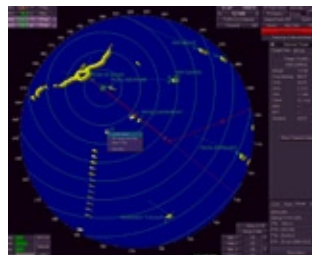
Tel: +31(0)-10-4451600  
 Fax: +31(0)-10-4345015

**Norway, Bergen**

Tel: +47-55-94-94-94  
 Fax: +47-55-34-52-27

**United Kingdom, New Malden**

Tel: +44(0)20 8329 2000  
 Fax: +44(0)20 8329 2415



Radar

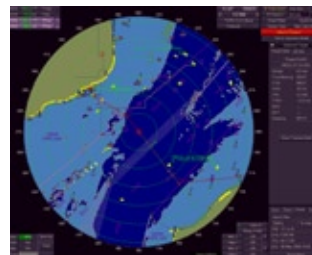
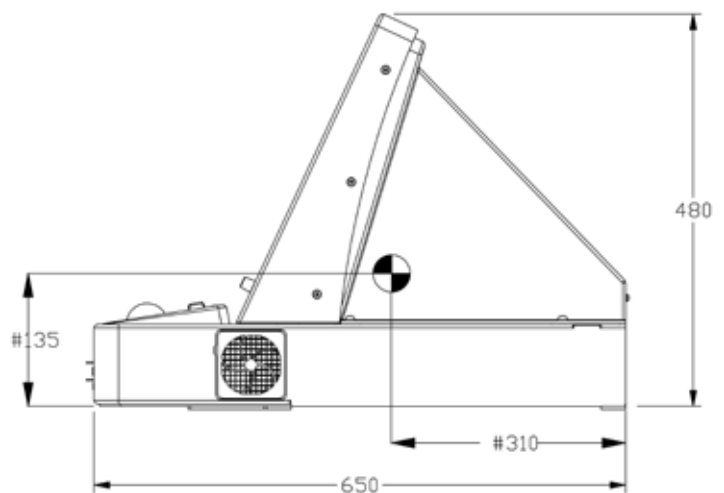
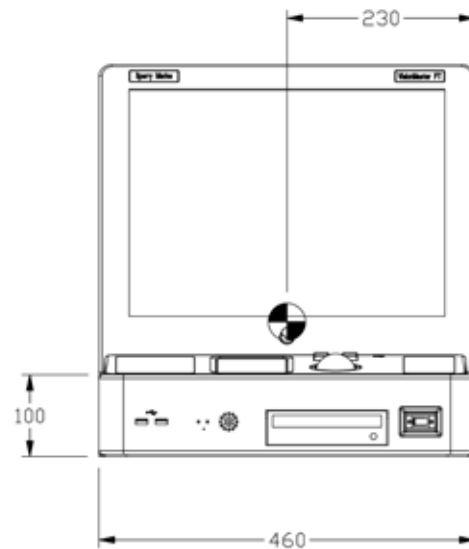


Chart Radar



ECDIS



Weight 26 kg

Sperry Marine, with worldwide headquarters in Charlottesville, VA, and major engineering and support offices in Melville, NY, New Malden, England, and Hamburg, Germany, is part of the Northrop Grumman **Electronic Systems** sector.

This brochure, including the information contained herein, is the Intellectual Property of Northrop Grumman Corporation and as such may not be copied or reproduced without the written permission of Northrop Grumman. All specifications herein were in effect on the date of this publication. However, any technical data should not be solely relied upon and should be verified at time of order. Furthermore, equipment may vary from that specified due to the Sperry Marine policy of continual product improvement.